

MVP12-P6 DIO16 8xM12A IOLA12 E0

IO-Link Class A Hub

IO-Link hub in 50 mm plastic housing

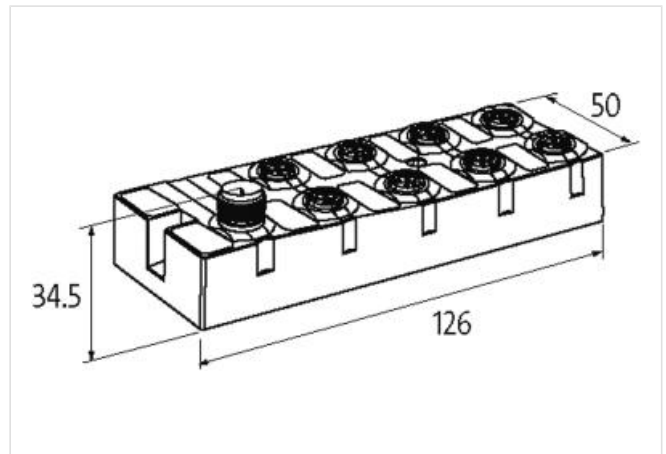
1 × M12 IO-Link Class A

8 × M12 I/O

16 configurable digital inputs/outputs

Extended parameter range

Connection cables are in the online shop under "Connection Technology".

[Link to Product](#)**Illustration**

Product may differ from Image

**Commercial data**

ECLASS-6.0	27242604
ECLASS-6.1	27242604
ECLASS-7.0	27242604
ECLASS-8.0	27242604
ECLASS-9.0	27242604
ECLASS-10.1	27242604
ECLASS-11.1	27242604
ECLASS-12.0	27242604
customs tariff number	85389099
GTIN	4048879913119
Packaging unit	1

Electrical data | Supply

Operating voltage US DC	24 V
Operating voltage DC	24 V
Operating voltage US DC min.	18 V
Operating voltage US DC max.	30 V
Current operating per port max.	0,5 A
Current consumption max.	40 mA
Total current US max.	4 A

The information in this Product-PDF has been compiled with the utmost care.

Liability for the correctness completeness and topicality of the information is restricted to gross negligence. Version: 2023-11-08

Murrelektronik GmbH | Falkenstr. 3 | 71570 Oppenweiler | Fon +49 (71 91) 47-0 | Fax +49 (71 91) 47-491000 | shop@murrelektronik.com | shop.murrelektronik.com

Electrical data Input	
Type input	Type 1, Type 3
Input time filter min.	0 ms
Input time filter max.	15 ms
Electrical data Output	
Output current per pin max.	0,5 A
Industrial communication IO-Link	
IO-Link process data length output	2 Bytes
IO-Link process data length input	4 Bytes
IO-Link revision ID	V1.1.2
IO-Link revision compatibility	V1.1.3
IO-Link type	Device
IO-Link cycle time min.	1 ms
IO-Link transmission rate	COM3 (230.4 kbit/s)
Port Class	A
Diagnostics	
Actuator warning	yes
Diagnostic via LED	per module and channel
IO-Link events	No voltage, Undervoltage supply
Short circuit diagnosis	yes
LED display	Ethernet connection/data traffic
Status indication LED	green
Overload diagnosis	yes
Device protection Electrical	
Installation height max. ASL	3000 m
Degree of protection (EN IEC 60529)	IP68
Short-circuit protected	yes
Overload resistant	yes
Mechanical data Mounting data	
Suitable for mounting type	2-hole screw mounting
Height	126 mm
Width	50 mm
Depth	34,5 mm
Environmental characteristics Climatic	
Operating temperature min.	-25 °C
Operating temperature max.	70 °C
Storage temperature min.	-40 °C
Storage temperature max.	85 °C
Conformities, approvals, certificates	
Product standard	EN 61131-2
Connection type 3	
Connection type 1	X0-X7
Connection type 2	XZ1
Connection type 3	XZ1
Family construction form	M12
Gender	female
Color contact carrier	black
Coding	A
No. of poles	5
PIN 1	24 V DC (US)
PIN 2	DIO (US)

PIN 3	0 V (US)
PIN 4	DIO (US)
PIN 5	PE
Family construction form	M12
Gender	male
Coding	A
No. of poles	5
PIN 1	24 V DC US (L +)
PIN 2	n.c.
PIN 3	0 V US (L -)
PIN 4	C / Q / IO-Link
PIN 5	n.c.
Family construction form	M12
Gender	male
Coding	A
No. of poles	5
PIN 1	24 V DC (US) (L +)
PIN 2	n.c.
PIN 3	0 V (US) (L -)
PIN 4	C / Q / IO-Link
PIN 5	n.c.